

follower

ATS 4000 SRW
DOUBLE STATION

EAC & CE
CERTIFICATE



**SPARE PART
SUPPORT**



**%70 POWER
ECONOMY**



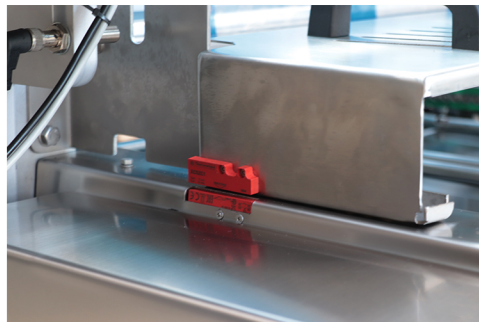
**24 MONTHS
GUARANTEE**



**RENEWABLE
MACHINE**



**HIGH
SAFETY**



ATS 4000 SRW

ATS 4000 SRW is a model for industry. Completely made of stainless steel. The mold and aluminum parts are eloxal coated. Values can be monitored numerically and graphically with the touch operator panel and any action can be done easily. The pneumatic system, gas pressure and vacuum values are controlled by sensors on the machine and operator is directed by warning message on display. The machine has printed film, non-printed film options and photocell system. Easy to replace mold system provides low mold cost effectiveness, unlimited mold choice and high performance for line type MAP packaging.

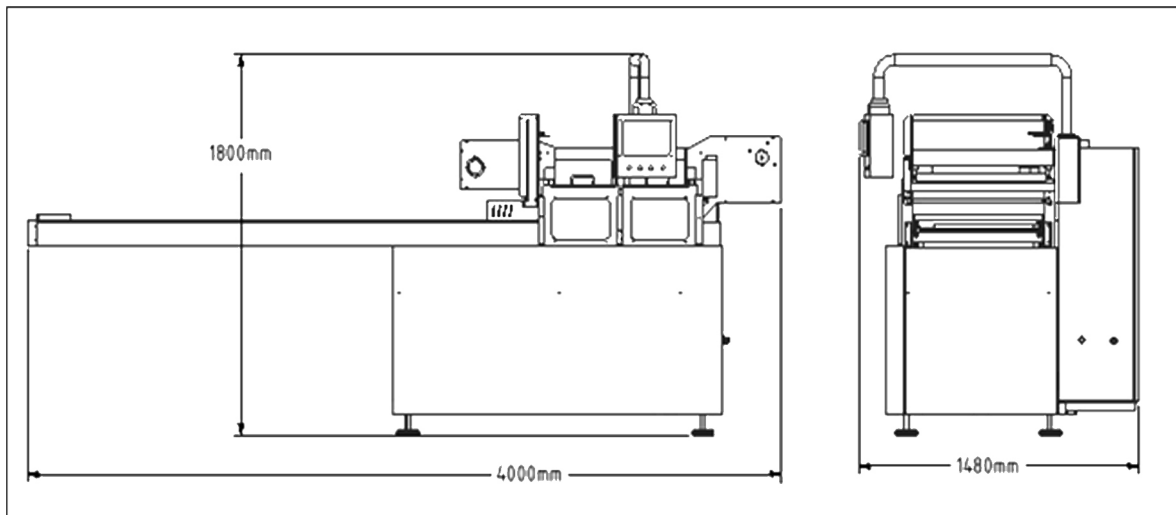
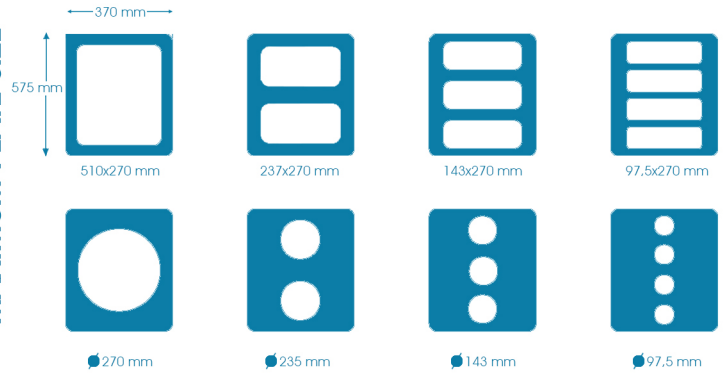
follower

ATS 4000 SRW

Technical Specifications

INSTALLED POWER	400V 50HZ 40A R.S.T.N.PE
ENERGY CONSUMPTION	8 KW - 10KW
VACUUM PUMP	250 M3
AIR CONSUMPTION	9 LT CYCLE
CAPACITY/MIN	4-10 PROCESS
MACHINE DIMENSIONS	4000X1480X1800 MM
MAX. MOLD DIMENSIONS	575X370 MM STANDARD
WEIGHT NET/PACKAGED	950 KG, EXCEPT THE PUMP
MAX. PLATE DEPTH	120 MM
MAX. FILM WIDTH	630 MM
MIN. FILM THICKNESS	40 MIC
INFEEED BELD	1700 MM
DISCHARGE BELD	300 MM
MAXIMUM FILM WEIGHT	16 KG

MAXIMUM PLATE SIZE



ATS 4000 SRW Advantages

Line type solution on Vacuumed and gaseous plate closing	Automatic filling and magazine can be integrated into feed band	10 inch Touch screen Operator panell and adjustable panell box	MAP & SKIN PACKAGING option
Values are monitored numerically and graphically	The vacuum pump of 150 m3 DVP	Precise measurement control with digital vacuum sensor	User-friendly with automatic operation counter and other safety and warning sensors
Possibility of only welding and cutting by one-touch	Photocell unit to use printed film	Stainless steel body of quality 304	Eloxal coated aluminum parts
Automatic film adjustment and waste film discharge system	Completely cuts the film around the plate and does not need extra labor	Energy saving with automatic temperature control system	Very easy to transport by stainless steel wheels